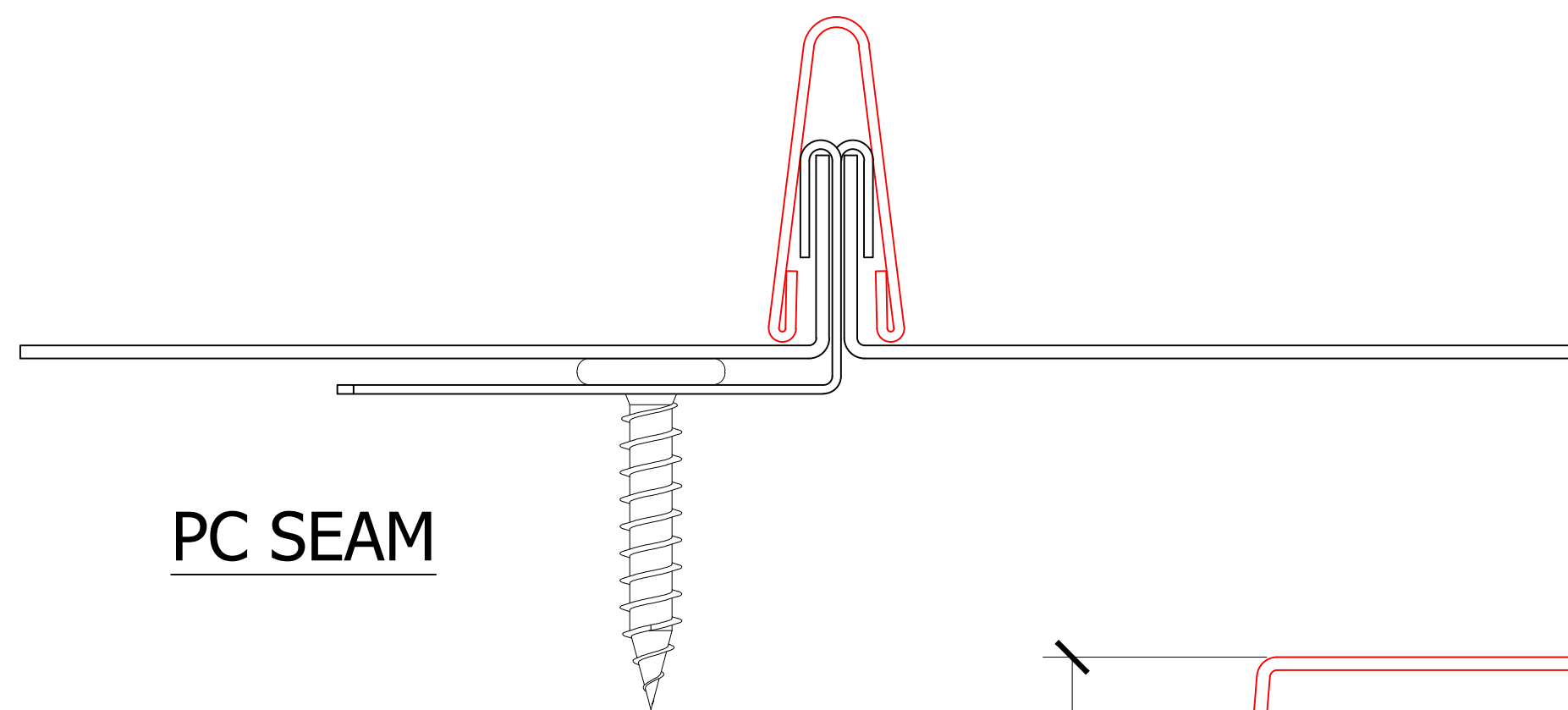
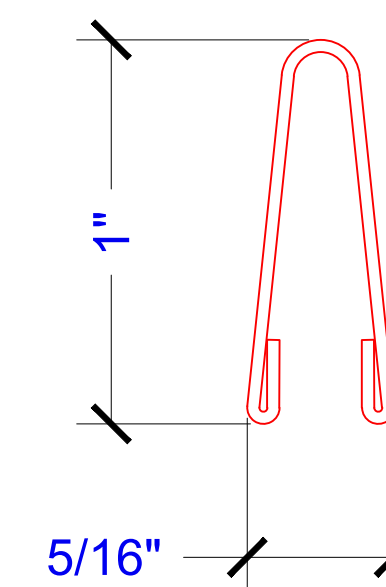


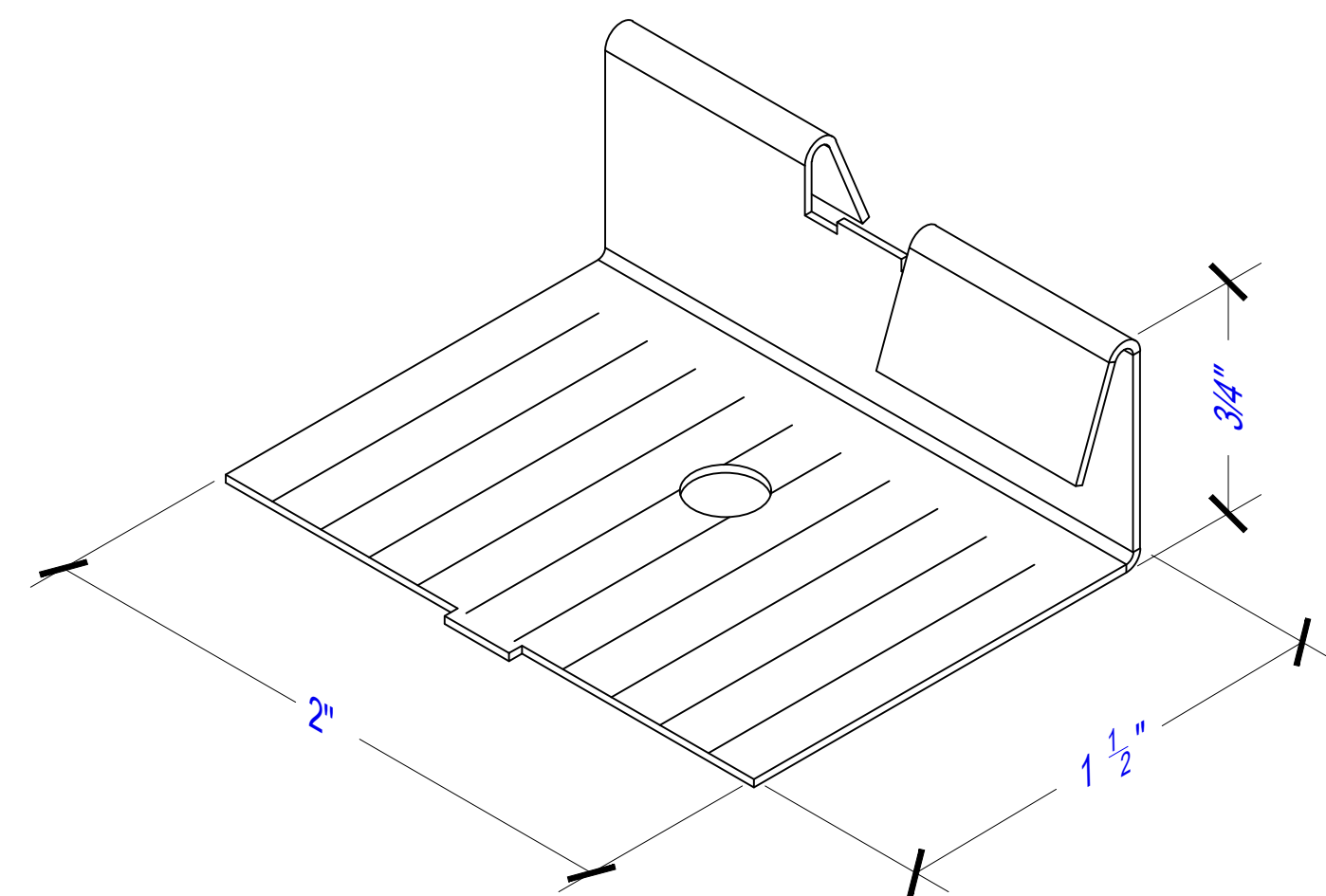
PC BATTEN



PC SEAM

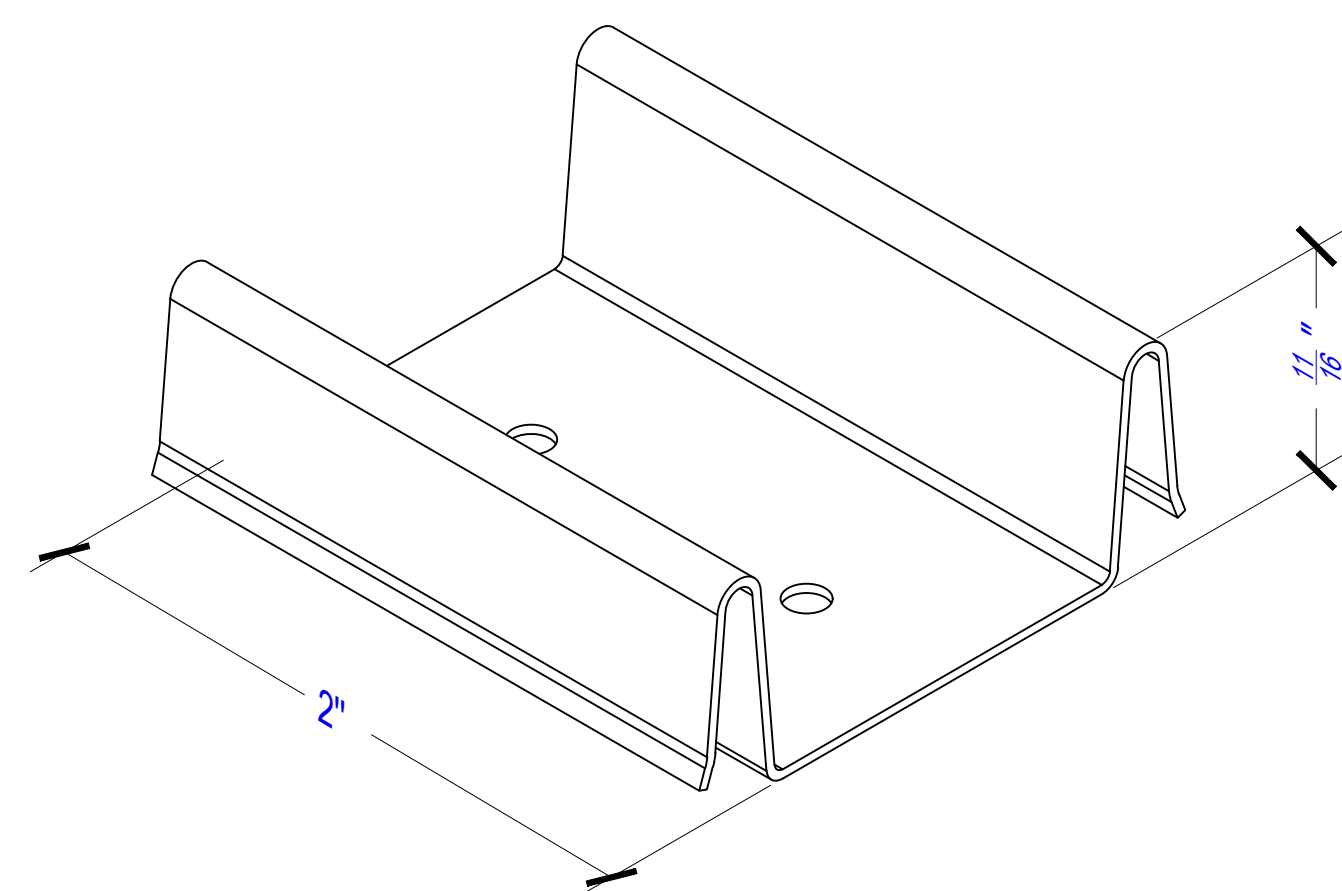


SNAP-ON PC SEAM

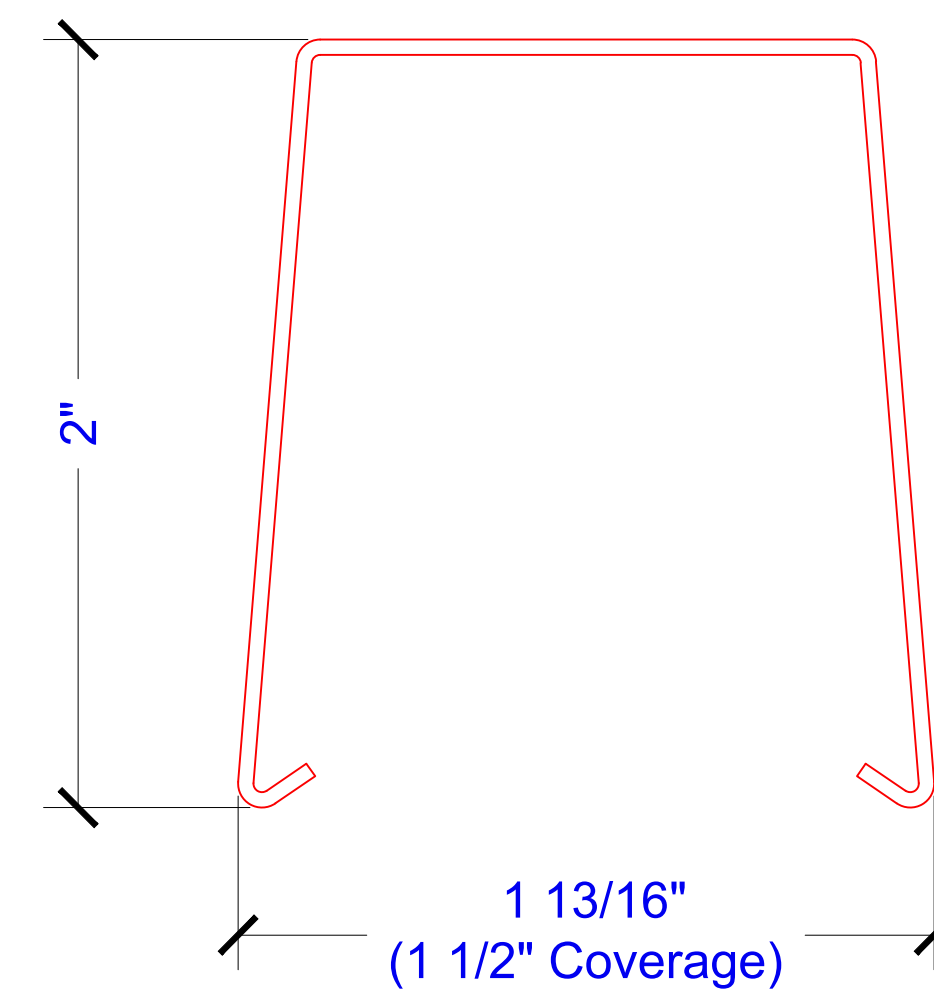


PC SEAM CLIP

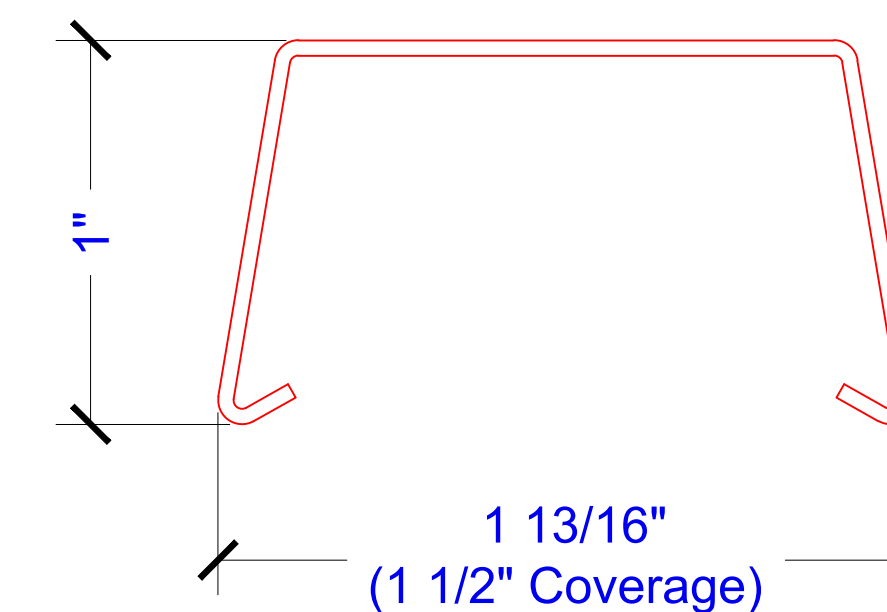
24GA METALLIC COATED STEEL  
26GA STAINLESS STEEL



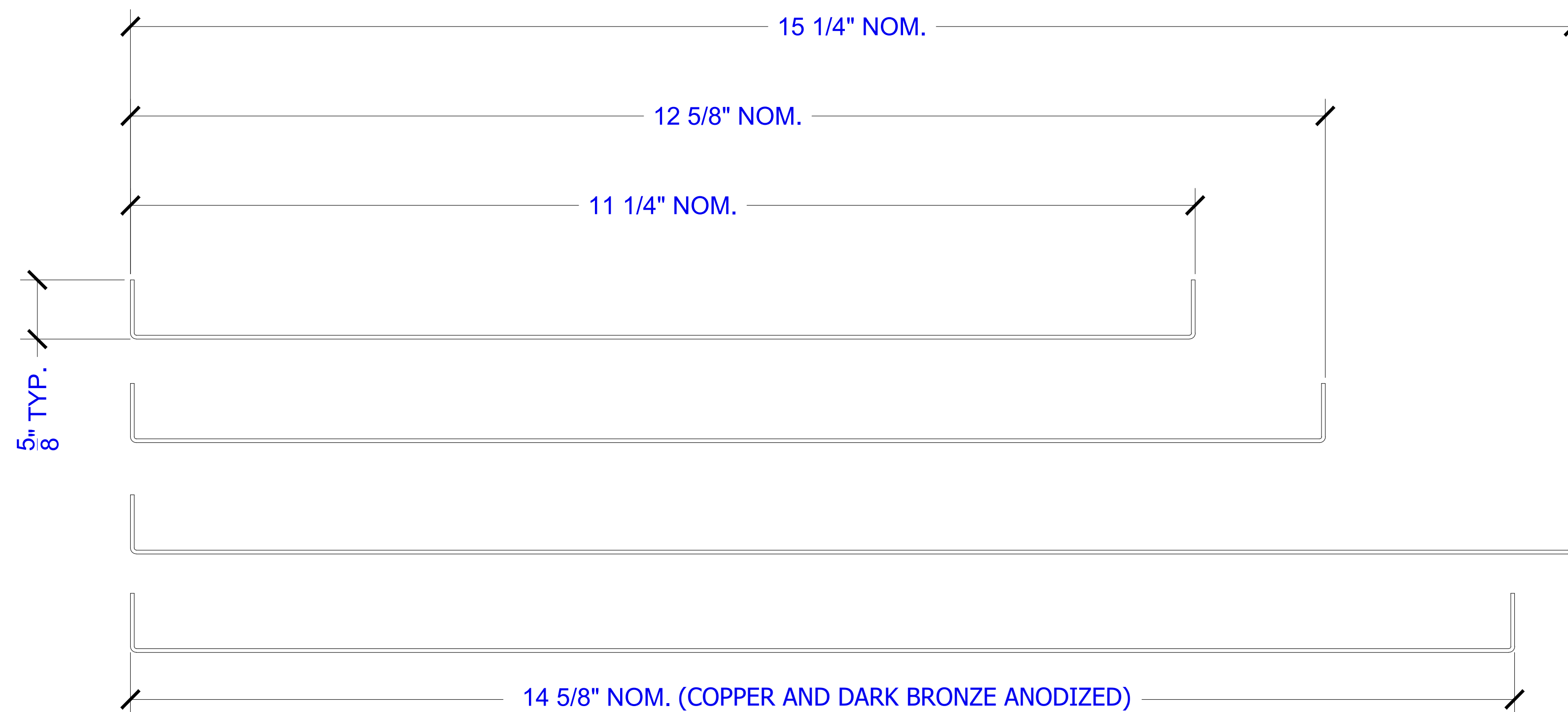
PC BATTEN CLIP



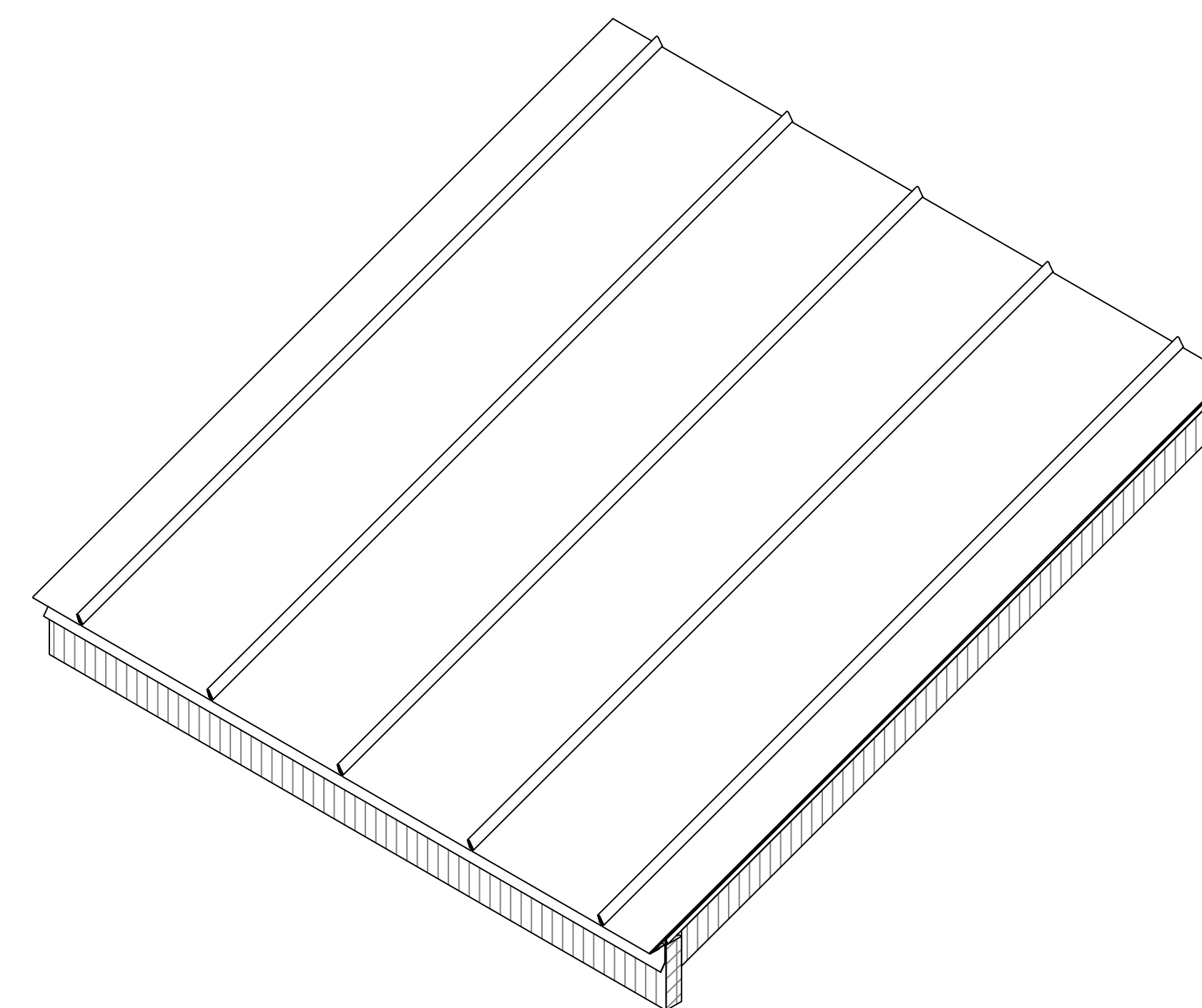
SNAP-ON 2" PC BATTEN



SNAP-ON 1" PC SEAM



**1** PC SNAP-ON SEAM DETAIL  
SCALE: NTS.



**2** ISOMETRIC VIEW  
SCALE: NTS.

**BOLTON**  
CLADDING

**NOTES/MATERIAL:**

PROJECT:  
METAL ROOFING MATERIALS

SHEET TITLE:  
STANDING SEAM

DATE:

DRAWING BY:

CHECKED BY:

SHEET SIZE:

REVISION NUMBER:

**PD-01**